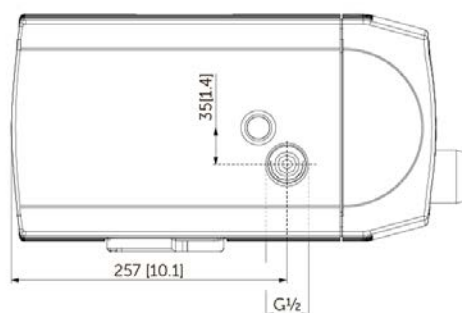
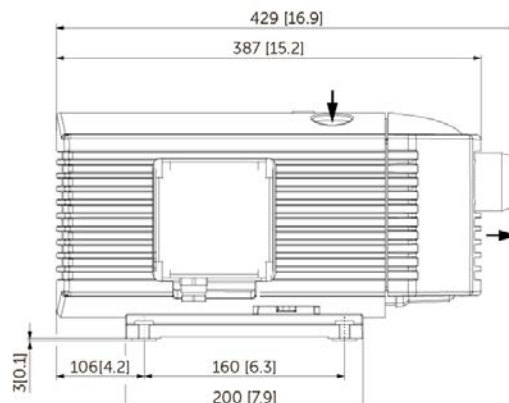
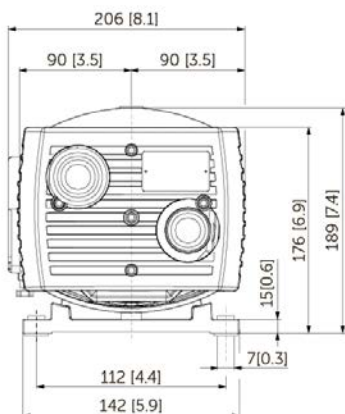




Model: **VT4.10**

SPECIFICATIONS

Volume flow 50 Hz	10 m ³ /h
Vacuum absolute 50 Hz	150 mbar
Power 50 Hz	0.37 kW
Noise Level 50 Hz	60.0 dB(A)
Volume flow 60 Hz	12 m ³ /h
Vacuum absolute 60 Hz	150 mbar
Power 60 Hz	0.45 kW
Noise Level 60 Hz	62.0 dB(A)
Weight	16.0 kg with motor



mm [inch]

BECKER VT 4.10